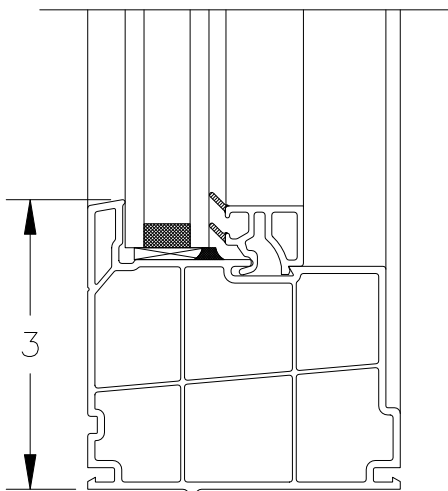
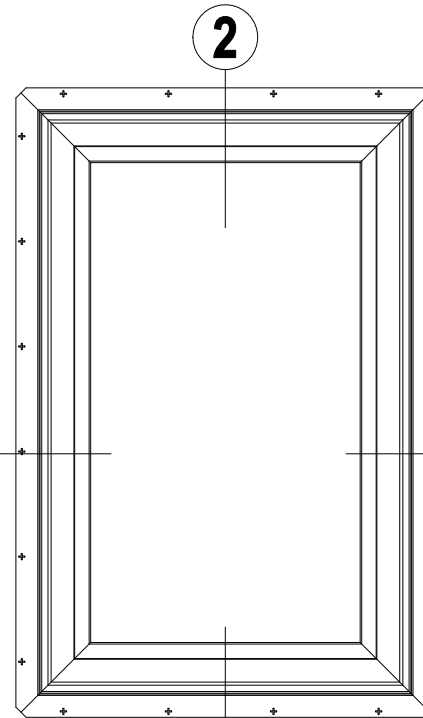


2



1

$1\frac{1}{16}$ $2\frac{1}{8}$
 $3\frac{1}{4}$

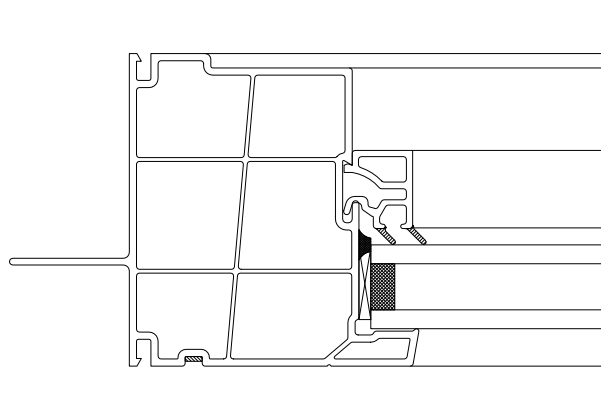


2

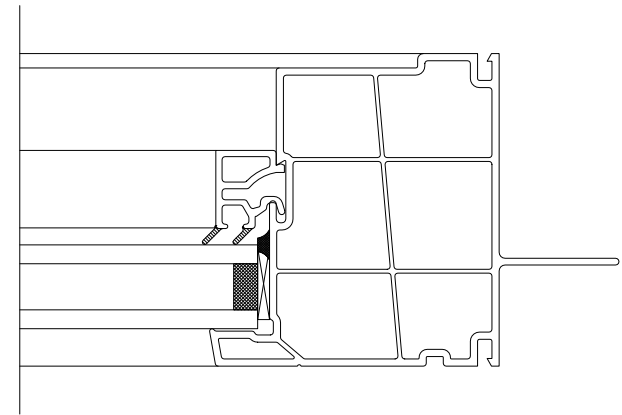
3

4

1



3



4

THERMO-TECH
 VINYL WINDOWS AND DOORS
 FIXED CASEMENT SECTIONS
 SCALE: 6"=1'-0"